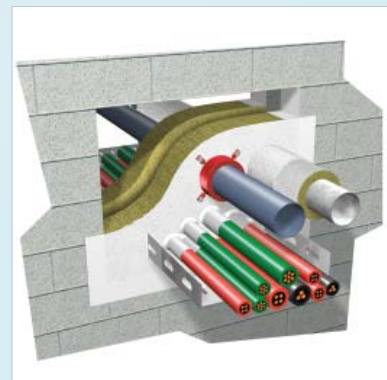
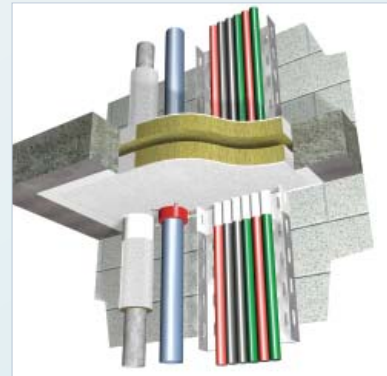


Basic Requirements for Creating a Penetration

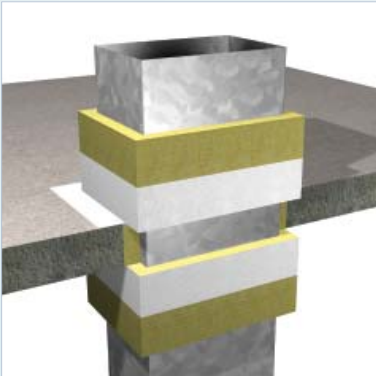
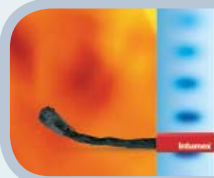
Determine the required period of fire resistance of the element, and for loadbearing structures, ascertain the required load. The area to be sealed requires the same fire resistance as the complete floor or wall construction. In order to ensure the stability of the services is maintained under fire conditions, we recommend that all services must be adequately supported at maximum 250mm away from the wall or floor on both sides of the penetration. System fixings, impact protection and suspension elements must be steel. Monal alloys, aluminium etc are not permitted. Accessories such as guard-rails, steel angles, threaded rods. Suspension elements etc. must only be fixed to adjacent solid substrates such as concrete or masonry.

Intumex® products must be applied in accordance with EU directives and national regulations for construction material in general, and fire stopping in particular, with the applicable national test certificates and approvals, and in accordance with applicable national building regulations. Products may only be applied by trained professionals with adequate knowledge of and experience in the use of fire stopping products, and only after a thorough review of the installation guidelines, the safety data sheets, and the national test certificates and approvals. All the relevant documents can be obtained free-of-charge by contacting Intumex® or from your local dealer via telephone or in writing; in addition all installation guidelines and the safety data sheets can be downloaded free-of-charge from the Intumex® website (see www.intumex.at).



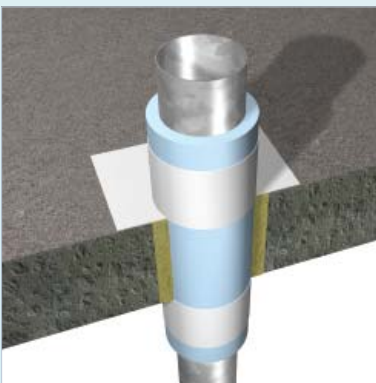
General Information

- ⇒ Stir Intumex® CSP well (we recommend a mechanical mixer);
- ⇒ Intumex® CSP can be diluted (maximum 1.5 liters clean water to each 12.5kg container);
- ⇒ Intumex® CSP-L can be applied with a brush, roller, spatula or airless device;
- ⇒ Intumex® CSP-M can be applied with a brush and a spatula;
- ⇒ Once opened containers should be fully used as soon as possible. Reseal containers properly after use;
- ⇒ Drying time: approx. 8 hours at 20°C and a relative humidity of 65% for 1mm;
- ⇒ Clean tools with water after use;
- ⇒ 1mm dry-film thickness is equivalent to 1.38mm for CSP-L and 1.28mm for CSP-M wet-film thickness (approx. 1850g/m² for CSP-L; 1800G/M² for CSP-M);
- ⇒ Overpainting is possible; adhesion and compatibility must be checked.



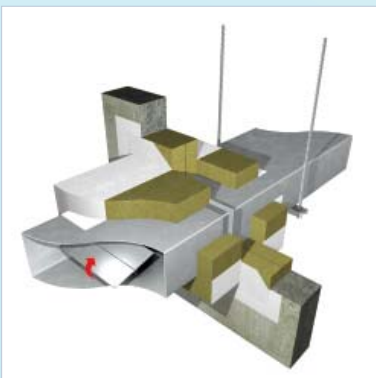
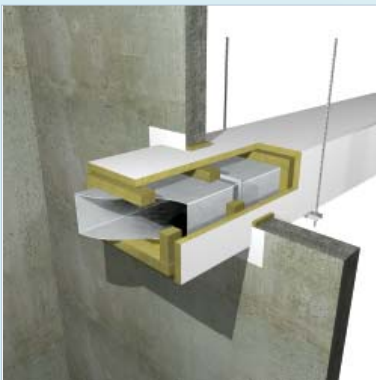
Conditions for Application

- ⇒ Minimum +5°C, maximum +40°C for both substrate and ambient temperature;
- ⇒ Relative humidity of more than 65% will result in extended drying times;
- ⇒ Substrate must be free of oil, grease and dust;
- ⇒ Use water to dampen and act as a primer for absorbant substrates.



Installation: Wall Condition

- ⇒ Clean opening and penetrating services;
- ⇒ Mask out the working area on the wall and services with tape;
- ⇒ Cut the mineral wool panels exactly to size (melting point: $\geq 1000^{\circ}\text{C}$);
- ⇒ Pre-coat the opening and services with Intumex® CSP, as well as the edges of the mineral wool;
- ⇒ Insert mineral wool panels;
- ⇒ Fill joints with Intumex® CSP-M;
- ⇒ Apply final correct thickness of Intumex® CSP to mineral wool and services;
- ⇒ Remove tape;
- ⇒ Repeat the same steps on the opposite side, if necessary;
- ⇒ Fix identification label.



Installation: Floor Condition

- ⇒ Clean opening and penetrating services;
- ⇒ Insert an appropriate approved metal grid as foot traffic protection (below the mineral wool panels), where deemed necessary;
- ⇒ Mask out the working area on the floor and services with tape;
- ⇒ Cut the mineral wool panels exactly to size (melting point: $\geq 1000^{\circ}\text{C}$);
- ⇒ Pre-coat the opening and services with Intumex® CSP, and the edges of the mineral wool;
- ⇒ Insert mineral wool panels and fix to grid (thickness of steel wire $\geq 1.5\text{mm}$);
- ⇒ Fill joints with Intumex® CSP-M;
- ⇒ Apply final correct thickness of Intumex® CSP to mineral wool and services;
- ⇒ Remove tape;
- ⇒ Fix identification label.

For additional information on how and where to use this product, please refer to our systems database on the enclosed CD, or visit our website at <http://www.intumex.at>

Installation: Multi-penetrations; Wall and Floor Condition

When cables, cable transport systems, metal pipes, plastic pipes and ventilation services all pass through one penetration, additional measures covered by tested and certificated systems are required. Please refer to the relevant test reports or to our database regarding the additional measures – e.g. extended insulation, fire stopping collars or claddings.

Adding New Services to Soft Penetrations

The addition of new services through soft penetrations is permissible if all the above instructions are followed (coating the edges, service penetration gaps sealed accordingly). Fill joints.