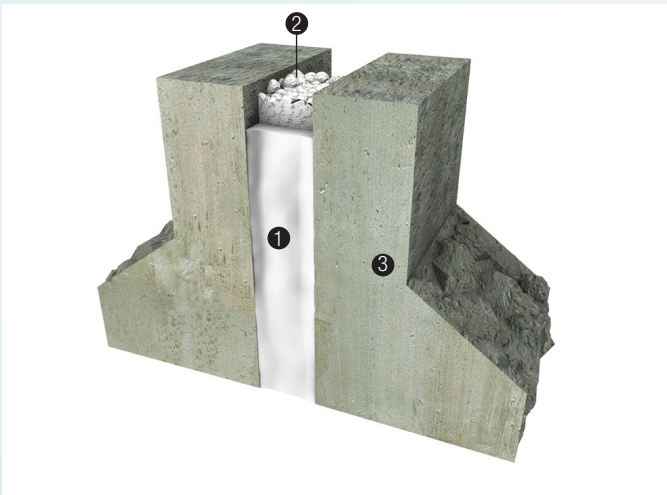




Joint penetration seal Intumex® AN / Intumex® AN plus



Silicone Trading
Fire protection products



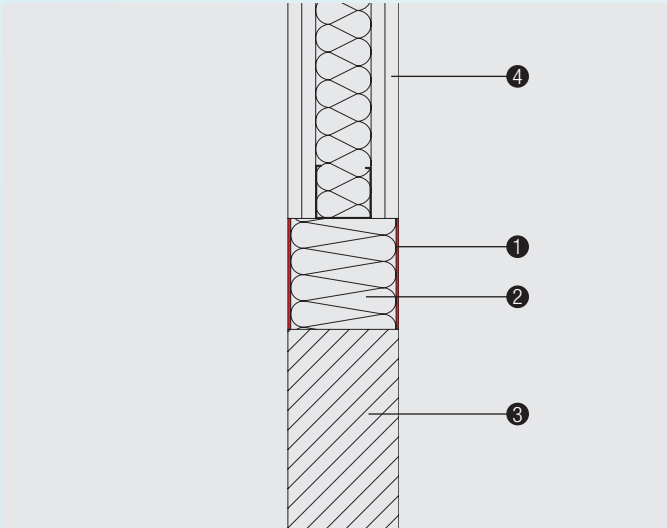
Technical data	
①	Intumex® AN / Intumex® AN plus
②	Backfilling material
③	Rigid wall and -floor
④	Flexible wall
Certificate: ETA-15/0688	

Advantages:

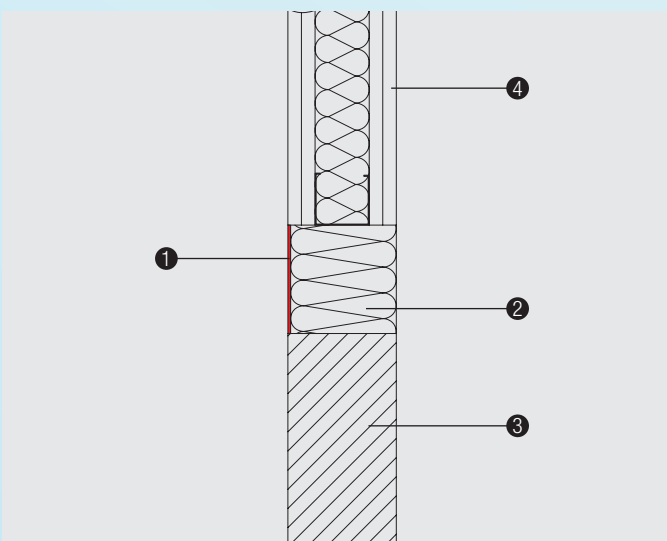
- ⇒ Approved with combustible backfilling material
- ⇒ Good adhesion
- ⇒ Overpaintable

Installation manual

- ⇒ Absorbent substrates shall be pre-wetted with water
- ⇒ Apply backfilling material (Stone wool or combustible insulation)
- ⇒ Put the sealant into the opening (pay attention to edge adhesion)
- ⇒ Smooth the sealant surface
- ⇒ After 24 hours overpainting is possible, adhesion has to be checked separately
- ⇒ Affix the identification label



Detail A - Linear joint seal in flexible wall and rigid wall two-sided



Detail B - Linear joint seal in flexible wall and rigid wall - backfilling on the unexposed side

Table 1 - Theoretical consumption for each 310 ml cartridge

joint width	10 mm	15 mm	20 mm	25 mm	30 mm	40 mm	50 mm
joint depth							
10 mm	3,1 lfm	2,0 lfm	1,5 lfm	1,2 lfm	1,0 lfm	0,8 lfm	0,6 lfm
15 mm	2,0 lfm	1,3 lfm	1,0 lfm	1,2 lfm	0,6 lfm	0,5 lfm	0,4 lfm
20 mm	1,5 lfm	1,0 lfm	0,7 lfm	0,6 lfm	0,5 lfm	0,4 lfm	0,3 lfm

Flexible wall and rigid wall

Detail A/B

Wall thickness	≥ 100 mm
Density rigid wall	≥ 450 kg/m ³
Joint width	≥ 5 ≤ 100 mm
Sealant depth	≥ 2,5 mm
Backfilling	Class A1 acc. to EN 13501-1 (Stone wool, ceramic wool,...), melting point ≥ 1000°C
Density backfilling	≥ 40 kg/m ³
Joint movement in %	7,5

Two-sided joint filling with 2,5 mm Intumex® AN / Intumex® AN plus on the backfilling,

Detail A:(vertical joint seal in vertical supporting construction)
EI 90 - V - M 7,5 - F - W 5 to 100

One-sided joint filling with 5 mm Intumex® AN / Intumex® AN plus on the backfilling (backfilling unexposed side),

Detail B:(vertical joint seal in vertical supporting construction)
EI 90 - V - M 7,5 - F - W 5 to 100

Two-sided joint filling with 5 mm Intumex® AN / Intumex® AN plus on the backfilling (backfilling exposed side),

Detail A:(vertical joint seal in vertical supporting construction)
EI 120 - V - M 7,5 - F - W 5 to 100

One-sided joint filling 10 mm Intumex® AN / Intumex® AN plus on the backfilling (backfilling unexposed side),

Detail B:(vertical joint seal in vertical supporting construction)
EI 120 - V - M 7,5 - F - W 5 to 100

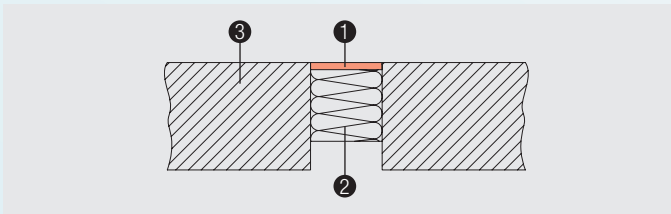
The products must be applied in accordance with regulations for construction material in general and fire stopping in particular, with the applicable national test certificates and approvals and in accordance with applicable national building regulations. Products may only be applied by trained professionals with adequate knowledge and only after thorough review of the installation guidelines, safety data sheets and national test certificates and approvals. For additional information on how and where to use this product please contact your local supplier. All the relevant documents can be obtained free of charge from the web site www.siliconetrading.se or by local dealer. For Non European Union countries separate guidelines are relevant. If required please contact us.



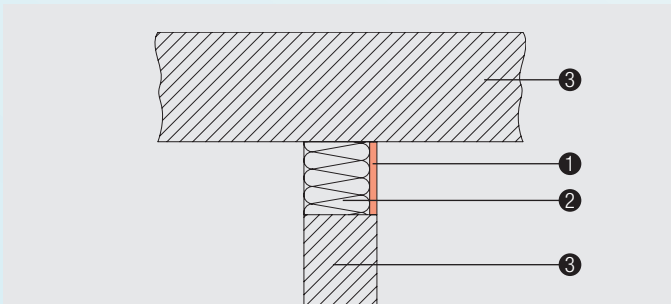
Joint penetration seal Intumex® AN / Intumex® AN plus

Intumex®
Where fire stops

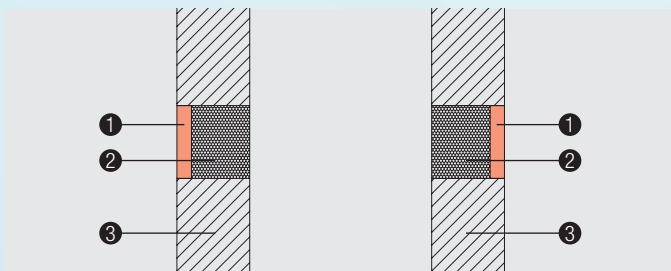
Silicone Trading
Fire protection products



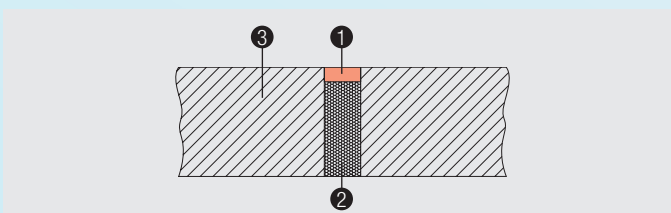
Detail C - Linear joint seal in rigid floor with non-combustible backfilling



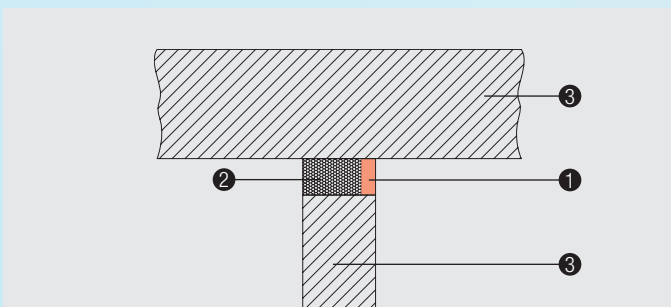
Detail D - Linear joint seal in rigid wall with non-combustible backfilling



Detail E - Linear joint seal in rigid wall with combustible backfilling



Detail F - Linear joint seal in rigid floor with combustible backfilling



Detail G - Linear joint seal in rigid wall with combustible backfilling

Rigid construction

Detail C/D

Floor thickness	≥ 150 mm
Density of the floor	≥ 450 kg/m ³
Joint width	≥ 5 ≤ 100 mm
Sealant depth	≥ 10 mm
Backfilling	Class A1 acc. to EN 13501-1 (Stone wool, ceramic wool,...), melting point ≥ 1000°C
Density backfilling	≥ 40 kg/m ³
Joint movement in %	7,5

**One-sided joint filling with 10 mm Intumex® AN / Intumex® AN plus on the backfilling (backfilling unexposed side),
Detail C:(vertical joint seal in vertical supporting construction)
EI 120 - V - M 7,5 - F - W 5 to 100**

**One-sided joint filling with 10 mm Intumex® AN / Intumex® AN plus on the backfilling,
Detail D: (horizontal joint seal in a wall, abutting a floor, ceiling or roof)
EI 120 - V - M 7,5 - F - W 5 to 100**

Detail E

Wall thickness	≥ 100 mm
Density rigid wall	≥ 450 kg/m ³
Joint width	≥ 5 ≤ 100 mm
Sealant depth	≥ 20 mm
Backfilling	Class E acc. to EN 13501-1 (e.g.: EPS)

**One-sided joint filling with 20 mm Intumex® AN / Intumex® AN plus on the backfilling,
Detail E:(vertical joint seal in vertical supporting construction)
EI 90 - V - M 7,5 - F - W 5 to 100**

Detail F/G

Floor thickness	≥ 150 mm
Density of the floor	≥ 450 kg/m ³
Joint width	≥ 5 ≤ 100 mm
Sealant depth	≥ 20 mm
Backfilling	Class E acc. to EN 13501-1 (e.g.: EPS)

**One-sided joint filling with 20 mm Intumex® AN / Intumex® AN plus on the backfilling,
Detail F:(vertical joint seal in vertical supporting construction)
EI 90 - H - M 7,5 - F - W 5 to 50**

**One-sided joint filling with 20 mm Intumex® AN / Intumex® AN plus on the backfilling,
Detail G:(horizontal joint seal in a wall, abutting a floor, ceiling or roof)
EI 120 - V - M 7,5 - F - W 5 to 50**